



community
post top
light





COMMUNITY POST TOP

The EAG-LED Community Post Top light was created to help those responsible for lighting our parking areas and roads succeed in their lighting design goals. Community Lights are the crowning feature of any outdoor landscape, parking lot or street.

When added to a park or walkway, our post top lights illuminate landscape improving security. Featuring innovative thermal management design, the EAG-CL offers exceptional performance and value.

This versatile luminary can be tailored to the unique specifications of each project by offering multiple LED boards and wattage options.



EAG-CPT3



COMMUNITY POST TOP

Advantages

- UL cUL DLC
- High CRI
- Dimmable 1-10 V
- Input voltage 100-277 Vac
- No UV or IR in the beam
- Energy Efficient, Long Lifespan
- Instant start, NO flickering, NO humming
- Green and eco-friendly without Mercury
- Optional light controlled and surge protection function

Applications

- Parking lots, car dealerships
- Outdoor Basketball or tennis courts
- School playground, practice field
- Shopping centers, building exterior up lighting
- Roadways, streets & highways
- Walkways, street signs, etc
- Aisles and pathways



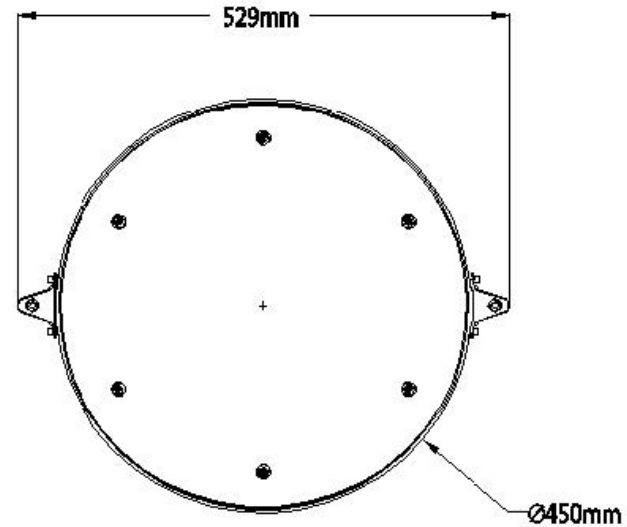
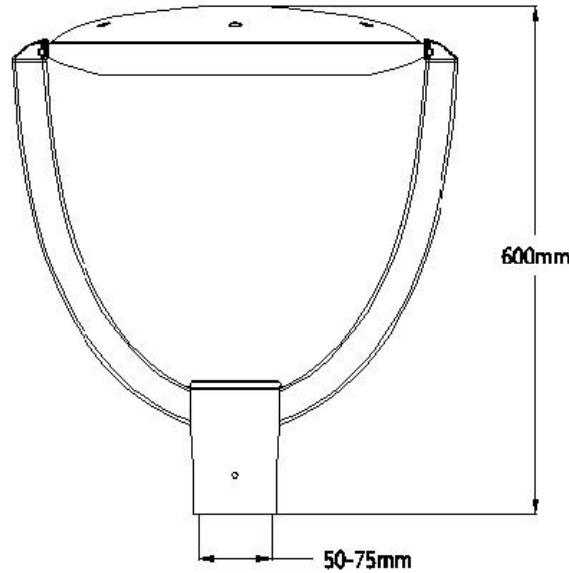
COMMUNITY POST TOP

	EAG-CPT3-30W	EAG-CPT3-40W	EAG-CPT3-50W	EAG-CPT3-60W	EAG-CPT3-80W	EAG-CPT3-90W
INPUT VOLTAGE	30W	40W	50W	60W	80W	90W
LED DRIVER	IP 65	IP 65	IP 65	IP 65	IP 65	IP 65
LUMINOUS EFFICIENCY	118-128 LM/W	118-128 LM/W	118-128 LM/W	118-128 LM/W	118-128 LM/W	118-128 LM/W
COLOR TEMPERATURE	4000-5700K	4000-5700K	4000-5700K	4000-5700K	4000-5700K	4000-5700K
CRI	>80	>80	>80	>80	>80	>80
BEAM ANGLE	90 Degree	90 Degree	90 Degree	90 Degree	90 Degree	90 Degree
WORKING TEMPERATURE	-40°C TO 45°C	-40°C TO 45°C	-40°C TO 45°C	-40°C TO 45°C	-40°C TO 45°C	-40°C TO 45°C
STORAGE TEMPERATURE	-40°C TO 85°C	-40°C TO 85°C	-40°C TO 85°C	-40°C TO 85°C	-40°C TO 85°C	-40°C TO 85°C
RATING	50,000 hrs	50,000 hrs	50,000 hrs	50,000 hrs	50,000 hrs	50,000 hrs
HOUSING	Aluminum	Aluminum	Aluminum	Aluminum	Aluminum	Aluminum



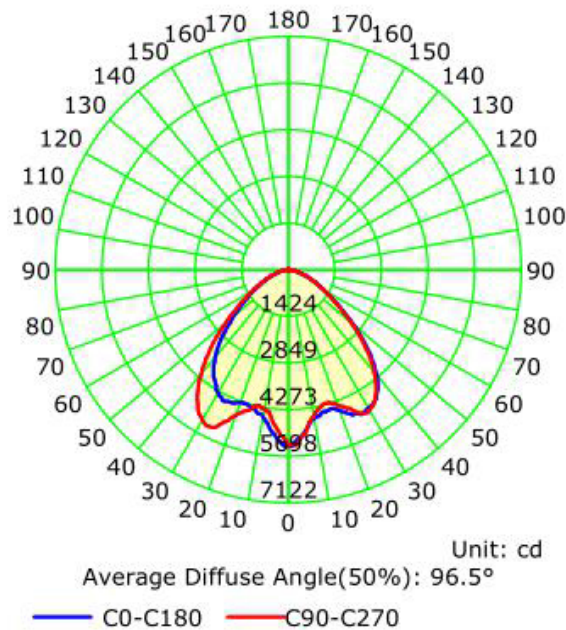
COMMUNITY POST TOP

EAG CPT3
Dimensions
Luminous
Curve and
Illuminance



Illuminance at a Distance

Luminous Intensity Distribution Curve



Dist(m)	Enadir(lx)	Dh/Dv B(m)	S B(sq.m)	Eav B(lx)
1.0	5395.79	2.19/2.29	3.9	1239.49
2.0	1348.95	4.39/4.58	15.6	309.87
3.0	599.53	6.58/6.86	35.0	137.72
4.0	337.24	8.78/9.15	62.2	77.47
5.0	215.83	10.97/11.44	97.2	49.58
6.0	149.88	13.17/13.73	140.0	34.43
7.0	110.12	15.36/16.02	190.6	25.30
8.0	84.31	17.56/18.31	248.9	19.37
9.0	66.61	19.75/20.59	315.1	15.30
10.0	53.96	21.95/22.88	389.0	12.39

Dh Dv Beam Angle(B): H95.3 V97.7 Field Angle(F): H142.2 V142.1



BETTER
LIGHTS
FOR A BETTER
WORLD

EAG-LED GLOBAL

13046 Racetrack Rd • Tampa, FL 33626
813.463.2420 • savings@eag-led.com



www.eag-led.com